

VALOR FIRES

INSTALLER AND OWNER GUIDE

Model 828

Electric Heater

Fitted with one of the following fascia

Brooklyn or Moonlight.

(G.C. No. EF-032-21)



This guide is intended to help you install and care for your Valor Fires electric heater. Please read carefully before installing and using your heater. However, if further information is required, our

Valor Fires Technical Helpline will be pleased to help.

Telephone **0844 8711 565**

(National call rates apply in the United Kingdom)

In the Republic of Ireland

Telephone **0044 844 8711 565**



BAXI • VALOR • WONDERFIRE

Important: Please keep your guide in a safe place for future reference

INSTALLER AND OWNER GUIDE

© Baxi Heating U.K. Limited 2008.

All rights reserved. No part of this publication may be reproduced in any material form (including photocopying), stored in any medium by electronic means (including in any retrieval system or database) or transmitted, in any form or by any means, whether electronic, mechanical, recording or otherwise, without the prior written permission of the copyright owner.

Applications for the copyright owner's permission to reproduce any part of this publication should be made, giving details of the proposed use, to the following address: The Company Secretary, Baxi Heating UK Limited, The Wyvern Business Park, Stanier Way, Derby, DE21 6BF.

Warning: Any person who does any unauthorised act in relation to a copyright work may be liable to criminal prosecution and civil claims for damages.

VALOR FIRES

Valor Fires, Erdington, Birmingham B24 9QP
www.firesandstoves.co.uk

Because our policy is one of constant development and improvement, details may vary slightly from those given in this publication

INSTALLER AND OWNER GUIDE

Safety First.

Valor Fires heaters are CE Approved and designed to meet the appropriate British Standards and Safety Marks.



Quality and Excellence.

All Valor Fires heaters are manufactured to the highest standards of quality and excellence and are manufactured to ISO 9001

CUSTOMER CARE

Thank you for choosing Valor Fires

All Valor Fires heaters are designed to meet the most stringent quality, performance and safety requirements to provide our customers with many years of trouble free service. This guide aims to improve your understanding and appreciation of your new heater, by providing simple and informative instructions to enable you to install it and to ensure that you benefit from the excellent performance and features it has to offer. If you require further assistance, the **Valor Fires Technical Helpline** will be pleased to help.

Please telephone **0844 8711 565** (local rates apply in the United Kingdom).
In the Republic of Ireland telephone **0044 844 8711 565**.

INSTALLER AND OWNER GUIDE

1. HANDLING AND UNPACKING

Before continuing any further with the installation of this heater please read the following:

Important safety instructions.

- The approximate lifting weights (kg) of the heater parts are listed below: -

<u>Heater</u>	<u>Heat engine</u>	<u>Fascia</u>	<u>Rear Spacer</u>	<u>Front spacer</u>	<u>Pebbles</u>
Brooklyn	5.8	9.23	1.3	1.4	1.0
Moonlight	5.8	9.23	1.3	1.4	1.0

- One person should be sufficient to lift the heater. If for any reason this weight is considered too heavy then obtain assistance.
- When lifting always keep your back straight. Bend your legs and not your back.
- Avoid twisting at the waist. It is better to reposition your feet.
- Avoid upper body/top heavy bending. Always bend from the knees rather than the waist. Do not lean forward or sideways whilst handling the heater.
- Always grip with the palm of the hand. Do not use the tips of fingers for support.
- Always keep the heater as close to the body as possible. This will minimise the cantilever action.
- Use gloves to provide additional grip.
- Always use assistance if required.

2. SAFETY

This appliance is not intended for use by persons (including children) with reduced physical, sensory or mental capabilities, or lack of experience and knowledge, unless they have been given supervision or instruction concerning use of the appliance by a person responsible for their safety.

Always

- **Always** install the heater in accordance with this guide. If in doubt obtain expert advice.
- **Always** disconnect the heater from the electrical supply before carrying out cleaning, maintenance or replacing the lamps.
- **Always** make sure the heater is firmly secured to prevent it from being tipped over.
- **Always** use a fireguard when young children and infirm persons can come into contact with the heater.
- **Always** use genuine Valor Fires spare parts.

INSTALLER AND OWNER GUIDE

Never

- **Never** leave children unsupervised in a room where the heater is ON and unguarded.
- **Never** obstruct or cover the fan outlet or force items into heater openings.
- **Never** install or use the heater anywhere where water is in use, i.e. Bathrooms, Kitchens, Shower Rooms, Swimming Pools etc.
- **Never** use aerosols or steam cleaners on or around the heater.
- **Never** route the electric supply cable under carpet etc.
- **Never** install the heater close to curtains or combustible materials.
- **Never** use the heater to dry clothes etc.
- **Never** sit or stand on the heater.

Important Electrical Safety

The heater must **not** be located in front of or under an electrical socket, the socket must always be accessible in order to disconnect the heater from the electrical supply for maintenance and cleaning.

Important! This heater must be earthed.

- The heater is supplied with a 3 pin 13 Amp fused re-wireable plug with 1mm² 3 core cable.
- The wires in the cable are coloured in accordance with the following code:-
Live = Brown
Neutral = Blue
Earth = Green /Yellow
- The electric supply must be safely routed from the heater to an electrical socket. If the electric cable is damaged, to avoid a hazard it must be replaced by a Valor Fires authorised service agent, or similarly qualified person (See page 16 for contact numbers). All external wiring between the heater and the electrical supply shall comply with current IEE regulations. Extension leads should not be used.

INSTALLER AND OWNER GUIDE

3. FITTING THE HEATER

The installation of this heater requires a reasonable level of DIY skills. Please read this guide thoroughly before commencing installation and if in doubt, seek help from a competent person.

Do I need any tools?

1. You may need the following screwdrivers: -
 - **A Pozidrive / Phillips / cross head.** This should have a number 2 size tip.
 - **A Flat end.**
2. If drilling into brickwork you will need a power drill (preferably with hammer action) and appropriate size drill bit for the wall plugs supplied.

Where and how can you fit the heater?

Q Do you want to wall mount the heater against a flat wall?

A The heater is designed to be fitted against a flat wall. The minimum mounting height from the finished floor level to the underside of the fascia is 125mm. See figure 4 for details.

Q Do you want to fit the heater against a flat wall with the base of the heater on a hearth or similar surface?

A The heater is not suitable for this type of installation. The minimum mounting height from the finished floor level to the underside of the fascia is 125mm. See figure 4 for details.

Q Can the heater be installed into a 'hole in the wall' (elevated opening)?

A The heater is not suitable for 'hole in the wall' installations.

Q Do you want to fit the heater into a surround or fireplace opening?

A The heater is not suitable for surround or fireplace opening installations.

General notes to read before fitting your heater.

There should be at least 50mm clearance between the top of the fascia and anything such as a shelf, fireplace surround or mantel etc. This will allow the fascia to be lifted off or removed during servicing. To check the shelf clearance gently place the fascia against the surface to which it is to be fixed and measure the distance from the top of the fascia.

Before fitting the fascia ensure that the back page of this guide is completed

Securing the heater.

The contents have been identified in figure 1 (Fascias are not shown).

INSTALLER AND OWNER GUIDE

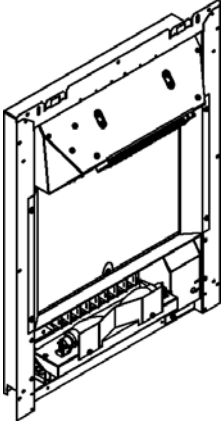
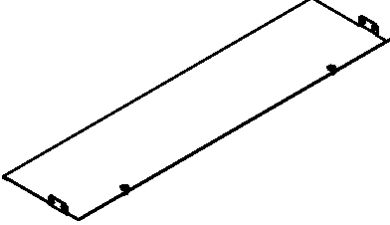
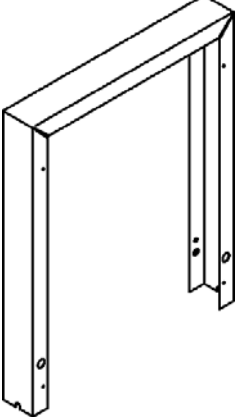
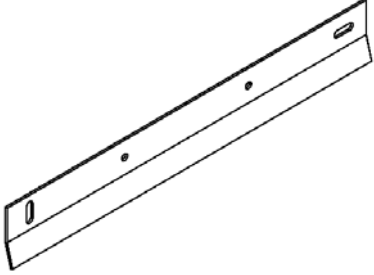
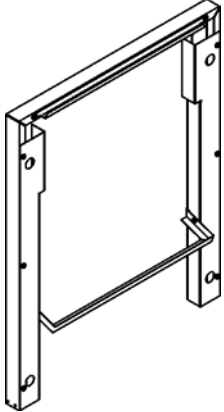

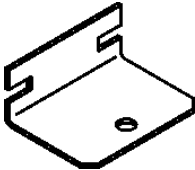




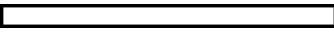

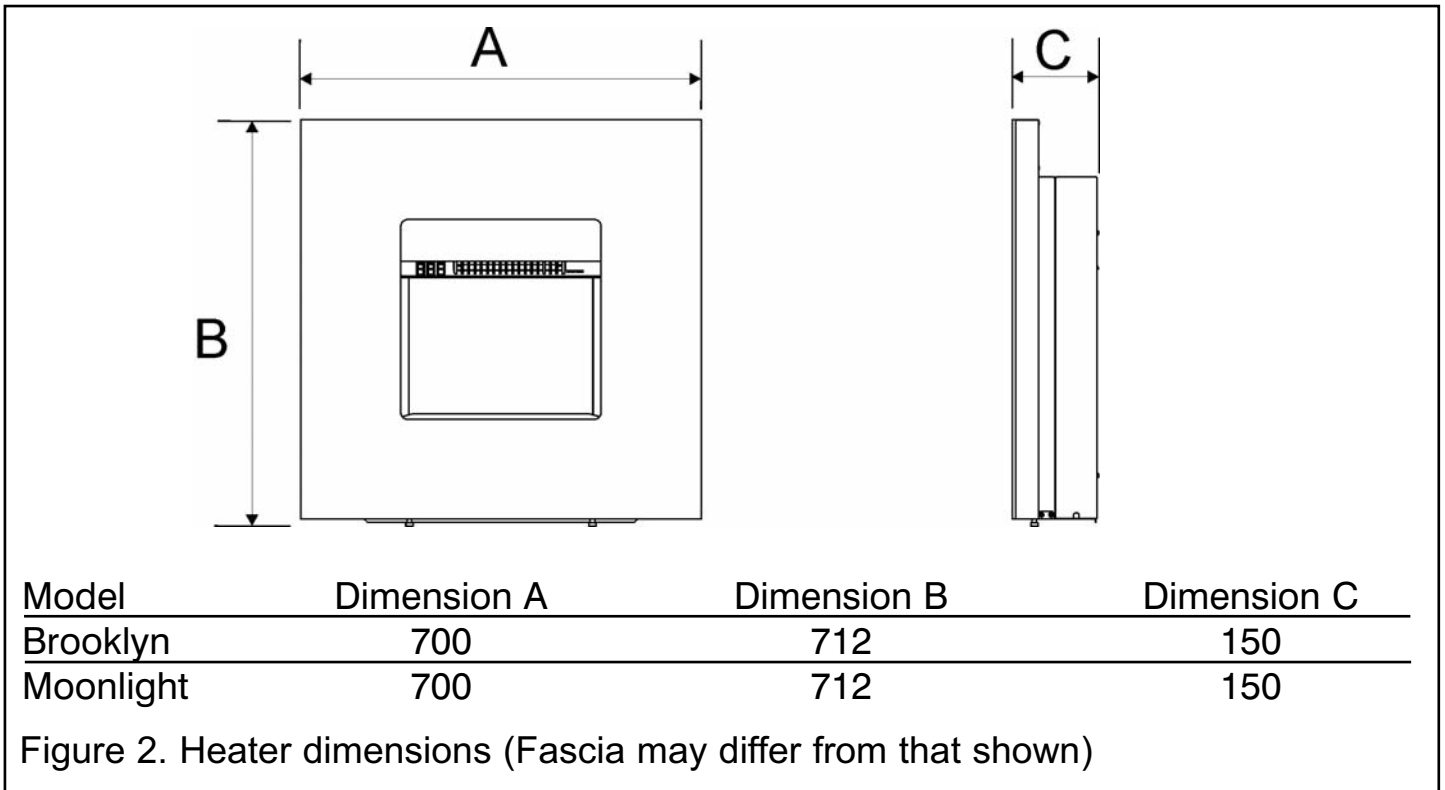
Contents	Qty	(Illustrations are not to scale)	Contents	Qty	(Illustrations are not to scale)
Heater	1		Cover plate	1	
Rear Spacer frame	1		Wall mounting bracket	2	
Front Spacer frame	1		Bag of pebbles	2	
			Lower securing bracket	1	
Woodscrew	5		Wall plug	5	
No.8 x 3/8 screw	10		M5 x 8 screw (Silver)	2	
			M5 x 10 screw (Black)	2	
Diffuser	1		Pebble support	1	

Figure 1. Contents (Items are not to scale)

INSTALLER AND OWNER GUIDE

Heater dimensions.



Moving the cable guide.

At the base of the heater you will find an electric cable which runs through a rectangular plastic cable guide. As supplied the cable guide is fitted into the rectangular cut-out on the right side of the heater. If required, the cable guide can be removed and put in the rectangular slot on the left hand side of the heater. For removal and fitting please see the following sections.

Removing the cable guide

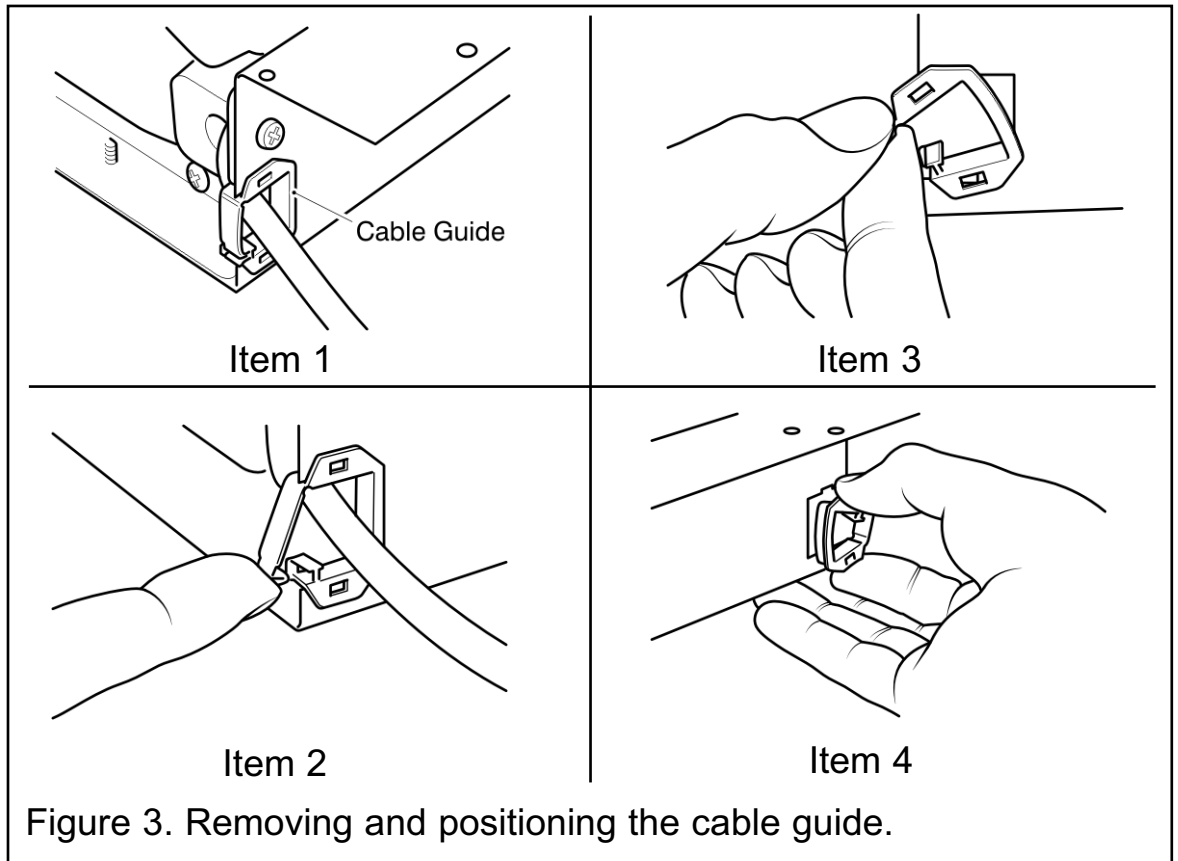
1. Before removing the cable guide please note that the wider part of the cable guide is on the outer edge of the base (See figure 3 - Item 1).
2. To remove the cable guide push and lift the tab on the bottom. The bottom of the cable guide will open (See figure 3 - Item 2).
3. Lift the electric cable clear of the cable guide.
4. Hold the bottom of the cable guide close to the heater then gently pull the cable guide away from the rectangular slot (See figure 3 - Item 3).

Fitting the cable guide.

When fitting the cable guide please remember that the wider part of the cable guide has to be fitted against the outer edge of the base (See figure 3 - Item 1).

1. Gently pinch the sides of the cable guide (See figure 3 - Item 4) and push the cable guide into the required rectangular slot.
2. Place the electrical cable into the guide and close the top of the cable guide.

INSTALLER AND OWNER GUIDE



If the electric cable is damaged, to avoid a hazard it must be replaced by a Valor Fires authorised service agent, or similarly qualified person.
All external wiring between the heater and the electrical supply shall comply with current IEE regulations.

INSTALLER AND OWNER GUIDE

Heater fixing.

All fixings necessary to install the heater the heater have been identified in figure 1.

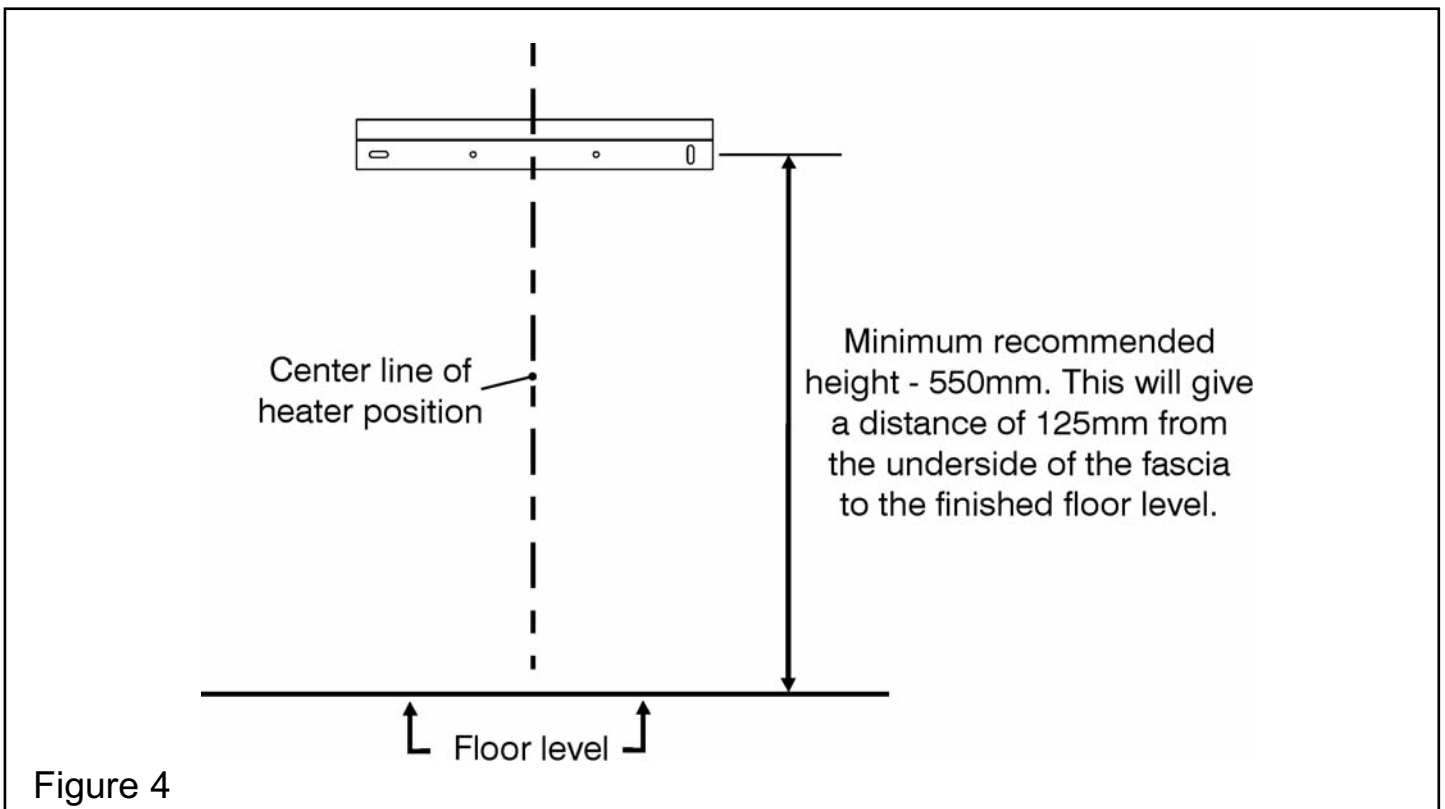
The heater must be fixed into position.

Fitting a wall mounting bracket to the wall.

Supplied with the heater are two wall mounting brackets (See figure 1). Fix one of these brackets to the wall as follows. If fitting to a conventional brick wall then use the outer slotted holes in the bracket. If fitting to a plasterboard wall that has a wooden frame behind it then use all four fixing holes in the bracket. This is required to spread the load.

If the wall plugs supplied are not satisfactory, purpose made plasterboard fixings can be purchased from DIY outlets.

1. Mark the positions of the hanging bracket holes on the wall. We recommend the use of a spirit level to ensure that the bracket is level.
2. Drill the marked positions using a suitable sized masonry drill bit for the wall plugs supplied.
3. Insert the wall plugs and secure the bracket to the wall using woodscrews (See figure 4).



INSTALLER AND OWNER GUIDE

Fitting the spacer frames.

(See figure 5).

The heater is supplied with two spacer frames. One for the rear and one for the front of the heater flanges. Fit the rear spacer before the front spacer.

Fitting the rear spacer frame.

1. The rear of the spacer has raised dimples. These should be at the rear of the heater and not against the heater flange. Locate the spacer frame and secure in place using four No.8 x 3/8 screws supplied. The screws should be fitted loosely. Do not tighten.

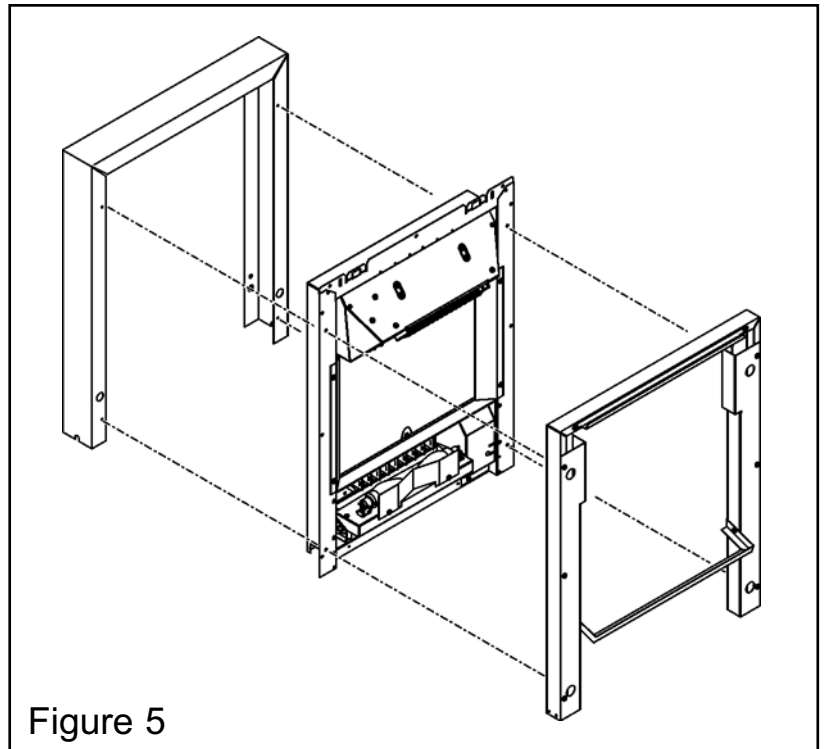


Figure 5

Fitting the front spacer frame.

- 1.** The rear of the spacer frame has key hole slots. This face should be fitted against the heater flange. To do this place the four key hole slots over the loosely fitted screws securing the rear spacer frame.
- 2.** With both spacer frames in place tighten the screws used to secure the rear spacer. This will secure both spacers in place.
- 3.** The front spacer has a fuel support bracket secured with two screws. Rotate the bracket upward and align the two holes in the bracket with those in the spacer frame. Secure in place with two No.8 x 3/8 screws (See figure 6).

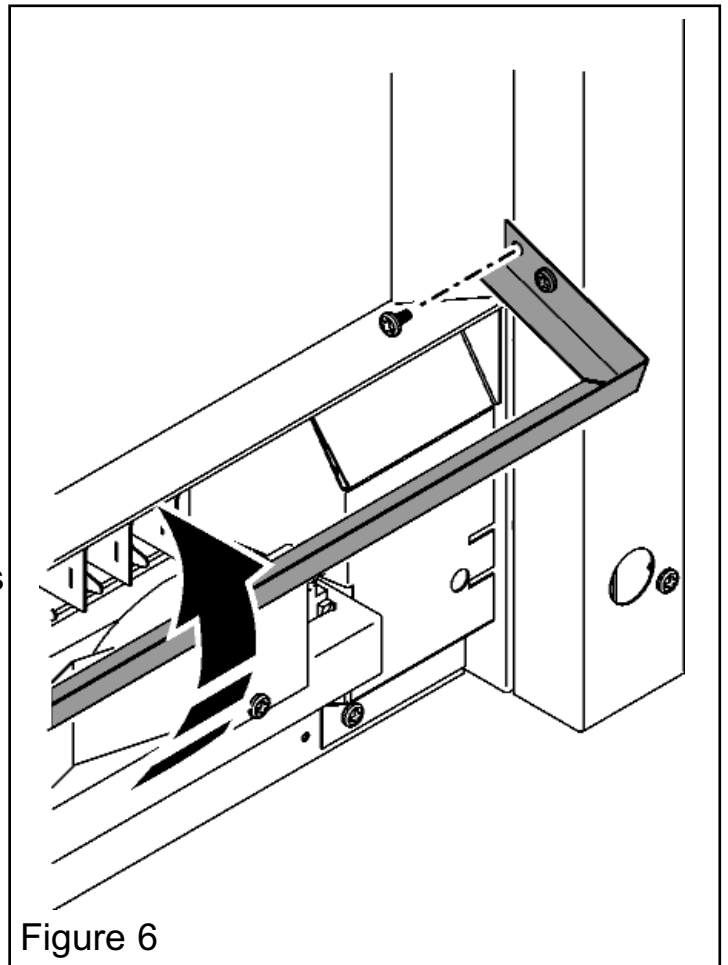


Figure 6

INSTALLER AND OWNER GUIDE

Fitting the brackets to the heater.

1. Locate the second wall mounting bracket to the rear of the heater using two silver M5 x 8mm screws supplied. Ensure that the bracket is correctly orientated before securing (See figure 7).

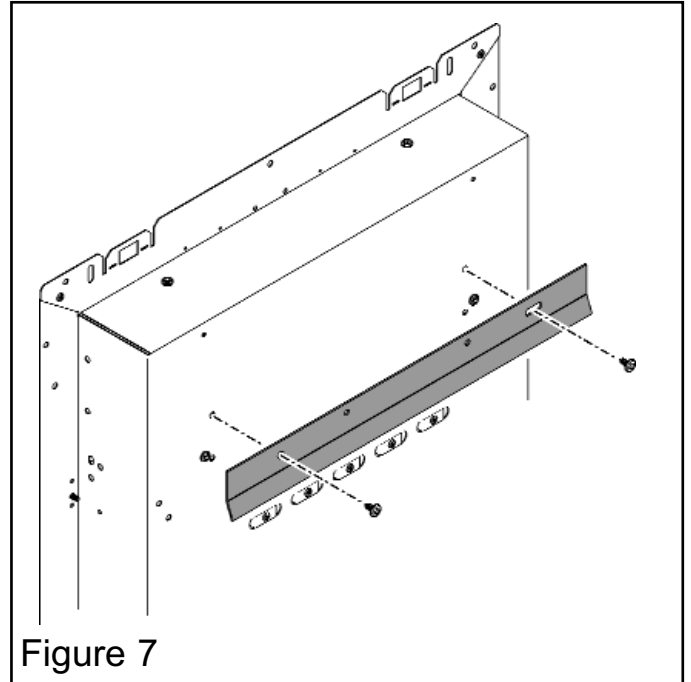


Figure 7

2. Supplied with the heater is a lower securing bracket (See figure 1). Offer one side of the bracket into the slot at the rear base of the heater (See figure 8). Swing the opposite side into place until the bracket is horizontal and pull down to hold in place (See figure 8). The bracket will remain loose but should not fall out of place.

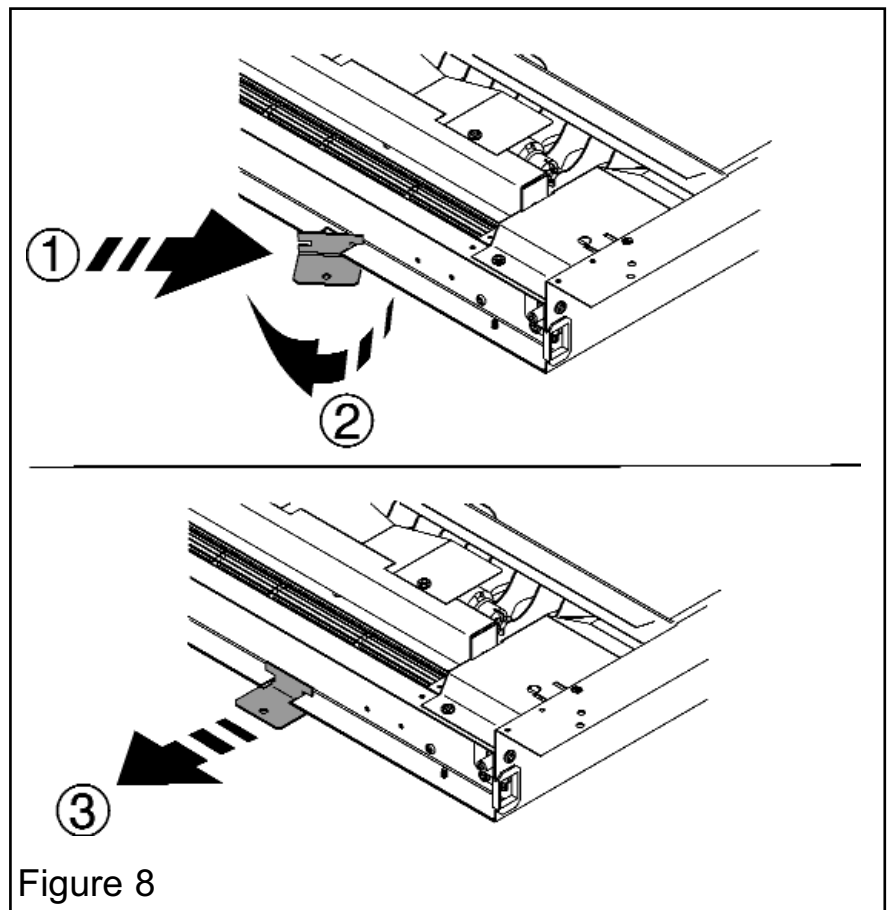


Figure 8

INSTALLER AND OWNER GUIDE

Fitting the cover plate.

The heater is supplied with a cover plate for the base of the heater (See figure 1).

1. Secure the cover plate to the base of the heater using four No.8 x 3/8 screws supplied (See figure 9).

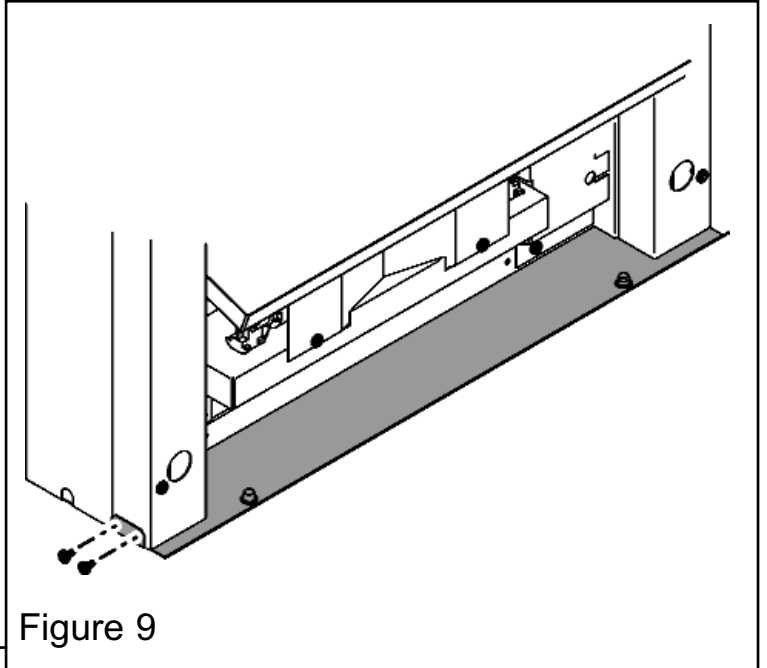


Figure 9

Hanging the heater.

1. Hang the heater body on the wall hanging bracket. Ensure that the heater is central.

2. Underneath the heater, mark on the wall the position of the hole in the lower support bracket.

3. Lift the heater off the wall.

4. Drill the marked position using a suitable sized masonry drill bit for the wall plugs supplied.

5. Insert a wall plug.

6. Hang the heater body on the wall hanging bracket. Secure the bottom of the heater using a woodscrew (See figure 1).

Fitting the fuel effect.

The heater is supplied with a diffuser, a fuel support and two packs of pebbles.

1. Locate the diffuser on the ledge immediately below the screen (See figure 10).

2. Locate the fuel support. The rear of the fuel support should rest on the small bracket at the base of the screen (See figure 11).

3. Place the loose pebbles on top of the fuel support. It is not necessary to use all the pebbles supplied.

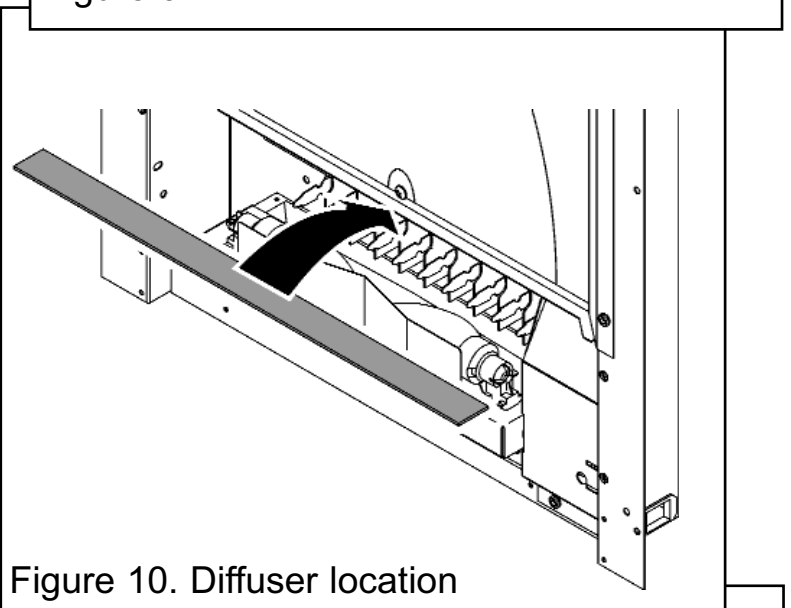


Figure 10. Diffuser location

Important notes.

The pebbles are for decorative purposes only. There is a choke risk to young children. Make sure they cannot gain access to them.

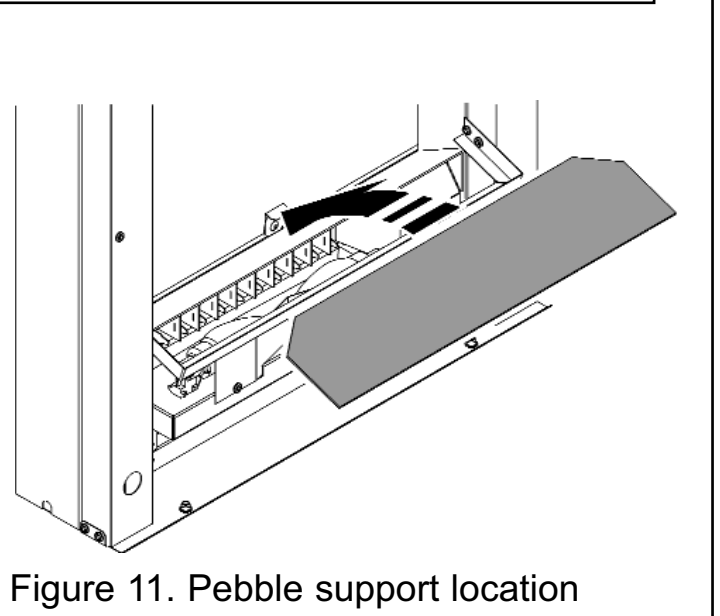


Figure 11. Pebble support location

INSTALLER AND OWNER GUIDE

Fitting the Fascia

Before fitting the fascia complete the last page of this guide.

1. Remove the fascia from its packaging.
2. Locate the fascia onto the heater. To do this locate the bracket at the top of the fascia into the bracket at the top of the front spacer (See figure 12).
3. Secure the fascia in place using the two black M5 x 10mm screws supplied. Fit these through the holes in the base of the fascia.

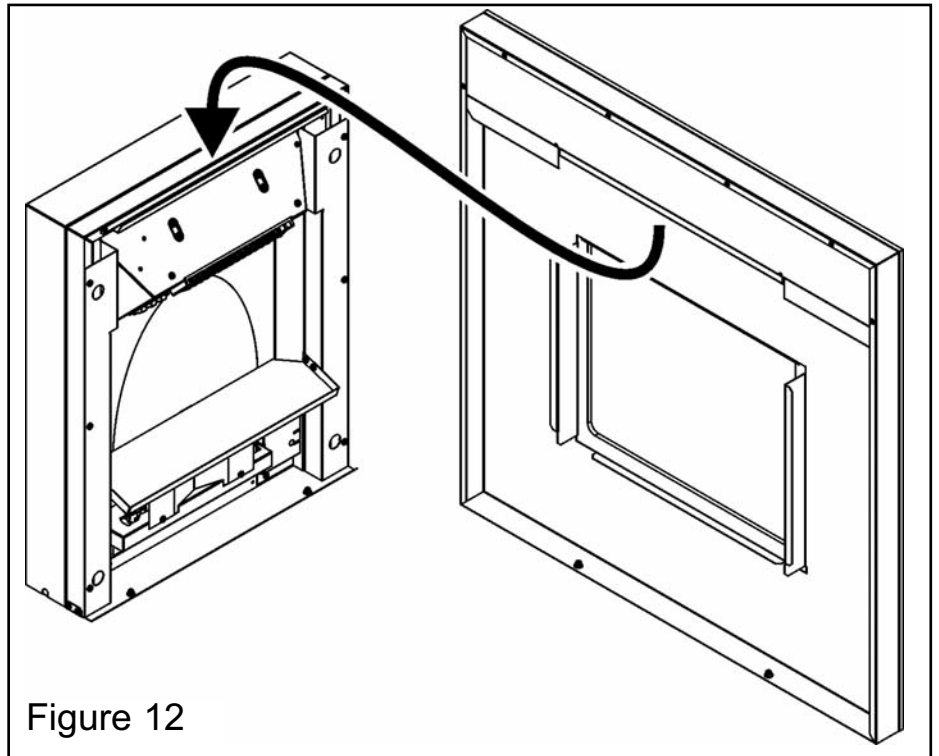


Figure 12




4. USING THE HEATER

Important Safety

Never cover the heater or obstruct the openings at the base of the heater, this could cause overheating and consequent risk of fire.

What are the three switches for?

The heater is operated by three switches located below the hood on the left hand side of the heater.

- Switch 1 =  Main On - Off. (In the 'ON' position, only the flame effect operates)
- Switch 2 =  1kW fan heat setting and flame effect. (Switch 1 needs to be in the 'ON' position to enable switch 2 to operate).
- Switch 3 =  2kW fan heat setting and flame effect. (Switch 2 needs to be in the 'ON' position to enable switch 3 to operate).

5. CLEANING AND MAINTAINING THE HEATER

How do I clean my heater?

The heater fascia and glass parts need only to be wiped clean with a dry soft cloth, do not use polishes or abrasive materials.

I have a problem with my heater!

Important Safety

Before undertaking maintenance or replacing the lamp(s) always disconnect the heater from the electricity supply by removing the 3 pin plug and allowing the heater to cool completely.

1. My heater is on but there is no light or the light appears brighter on one side of the heater.

This is possibly a lamp failure. Remove the lamp(s) as follows and check it / them in a table lamp that is known to work. If it / they do not work in the table lamp then replace as below.

The lamps fitted to this heater are standard clear 40W max. E14 candle lamps, but due to the indeterminate life span and ease of replacement, they are specifically excluded from the guarantee.

To replace the lamp(s).

1. Remove the fascia. To do this unscrew and remove the two knurled screws from the underside of the fascia. Hold the fascia and lift clear of the upper retaining bracket.
2. Unscrew and remove the copper reflector plate (See figure 13).
3. Replace the lamp/s with clear 40 Watt (maximum) candle, Edison screw, SES E14.
4. Refit the copper reflector plate. Refit the fascia.

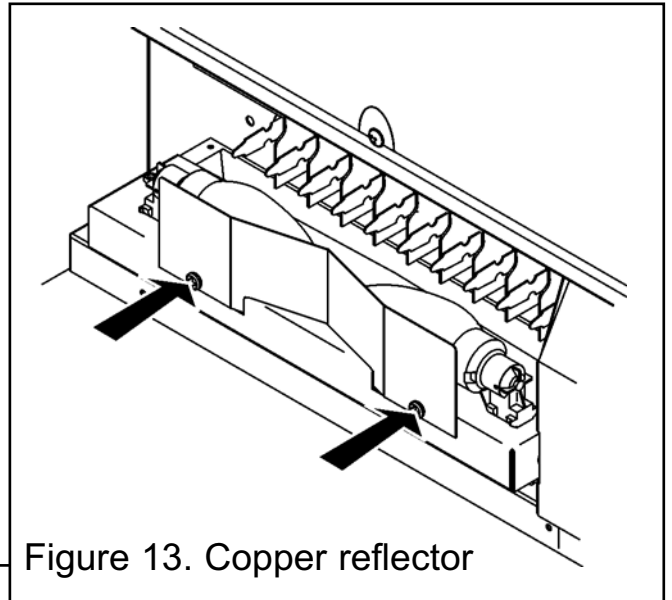


Figure 13. Copper reflector

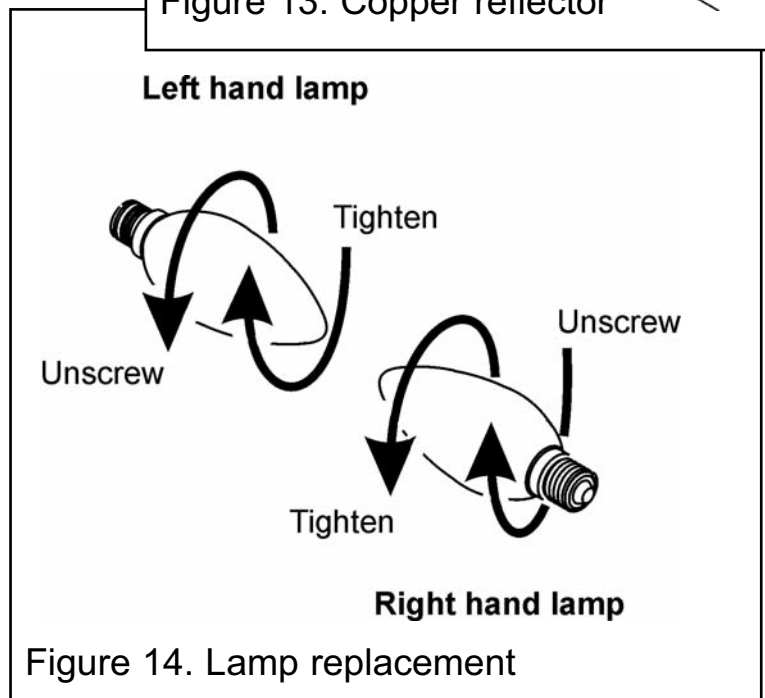


Figure 14. Lamp replacement

INSTALLER AND OWNER GUIDE

2. My heater is on but there is no light or heat.

The first thing to do is check the wall socket. To do this plug in a known working appliance. If the appliance you have plugged in works then there is a good chance that the problem lies with the 13Amp fuse in the heater plug. If either fuse or socket is suspected, have them checked by an electrician.

3. My heater is on but there is no heat.

A cut out device is fitted to the heater to prevent damage due to over heating. If it operates due to an obstruction in the airflow, the heater must be turned off and allowed to cool for 15 minutes and the obstruction removed before restarting.

4. I have a problem that is different to those in the previous examples 1- 3.

For general advice about your heater, to report faults, arrange for your heater to be serviced, or for sales and product information call 0844 8711 565. Callers in the Republic of Ireland please telephone 0044 844 8711 565.

For spares inquiries

Spare parts are available nationwide via the 'interpart stockist network'. For your local stockist consult Yellow pages under 'Central Heating'.

6. ENVIRONMENT

What should I do when I'm ready to dispose of my heater?

The plug should be removed from the mains supply cable and the mains supply cable cut from the heater.

Environmental Protection.



Waste electrical products should not be disposed of with household waste. Please recycle where facilities exist. Check with your local authority or retailer for recycling advice.

Information for the customer

Standard Warranty Terms & Conditions

The warranty is for 12 months subject to contract.

In the United Kingdom servicing can be carried out either by a **heateam** service engineer or a suitably qualified person.

You must register your heater with **heateam**, the service division of Baxi Heating UK Limited, either by completing and returning the registration card or calling our free telephone registration line on **0800 032 72 44**.

Our promise to you

If you experience a fault with your new heater, we aim to provide a safe and high quality repair service supported by our dedicated national network of highly skilled engineers. Nothing in this warranty will affect your statutory rights.

What you need to do if you experience a problem with the operation of the heater;

Read section 5 of this guide “Cleaning and maintaining the heater”. If the problem cannot be resolved simply call our service division **heateam** on **08706 090 081** to book an engineer visit or for any general advice that you may need. Our contact centre is open Monday to Friday 8am – 6pm, weekends and Bank Holidays 8.30am – 2pm, excluding Christmas Day and New Years day.

When calling **heateam**, it would be helpful if you could have the following information to hand:-

1. Heater serial number
2. Heater brand and model number
3. Date of installation
4. Proof of purchase (If you do not have the heater serial number)

Note: details 1 – 3 can be found on the last page of this guide.

What this warranty covers

Free of charge repair or replacement of components found to be of faulty manufacture.

Free of charge replacement of the complete unit providing the failure is related to a manufacturing fault that cannot be repaired or is uneconomic to repair.

INSTALLER AND OWNER GUIDE

What this warranty does not cover

Repairs to heaters which haven't been installed properly and as set out in this guide.

Faults caused by inadequate supply of electricity.

Reimbursement of any third party repair or replacement costs that we haven't been told about or agreed with you in advance.

Compensation or consequential losses (e.g. loss of earnings, business losses, stress and inconvenience) arising from a production breakdown, including repair delays caused by factors outside our reasonable control.

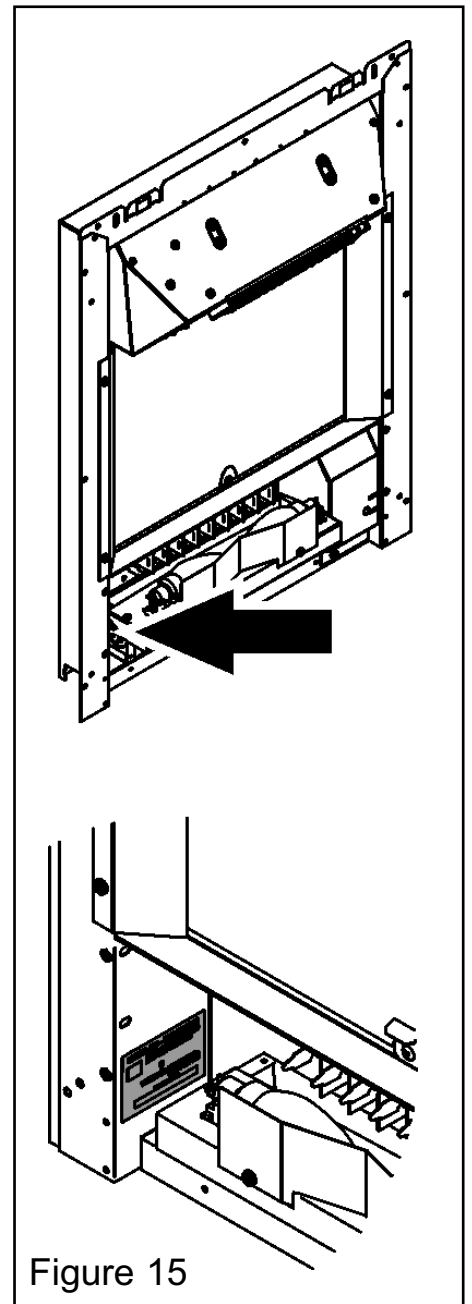


Figure 15

INSTALLER AND OWNER GUIDE

To be completed by the customer:

Model

Serial number (Can be found on the information label - See figure 15)

A LABEL CONTAINING THE SERIAL NUMBER MAY HAVE BEEN PLACED INSIDE THIS BOX.

Fascia name (Block Capitals)

Fascia code - Can be found close to the information label (Block Capitals)

A LABEL CONTAINING THE FASCIA CODE MAY HAVE BEEN PLACED INSIDE THIS BOX.

Brand (Please tick)

Baxi

Valor

Wonderfire Other.....

Date of Installation

D D M M Y Y

VALOR FIRES